



BMS-L105S



BMS-L105SE



TECHNICAL DATA

Input Voltage: DC 12V
 Output Current: 10mA Max
 Output Power: 0.1W
 Dimming: Class 2, 0-10V DC 10mA Max
 Sinking Current: 10mA Max

Bluetooth Transmit: 100ft Max
 Radio Frequency: 2.4GHz ± 75MHz
 Bluetooth Version: 4.2
 Housing Material: UL 94-5VA, Indoor Use Only
 Detection Range: 40ft Max
 Mounting Height: 18ft Max
 Operating Temperature: -30°C to 55°C, -22°F to 131°F
 Storage Temperature: -30°C to 85°C, -22°F to 185°F
 IP Rating: IP20
 Color: White

Comply to UL8750, UL1376, RoHS
 Safety: cULus Listed LED Controller

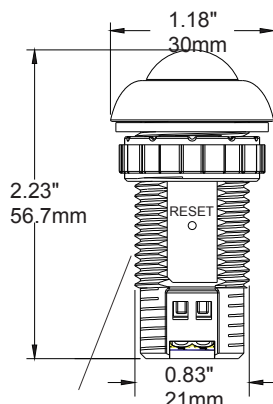
FEATURES

- BMS-L105S/SE series are designed for Luminaire Level Lighting Control (LLLC/NLC5) with integrated daylight harvesting and PIR motion sensors.
- Pre-installed in luminaire from factory.
- Use with dim to off drivers allows daylight harvesting function to switch off luminaire during periods of high daylight.

PHYSICAL DIMENSIONS

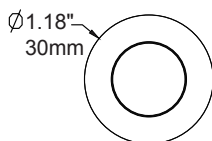
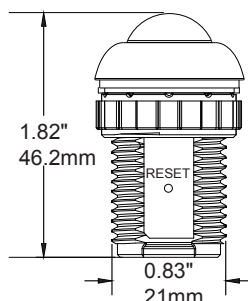
Unit:inch/mm

BMS-L105S



1/2 inch US standard knockout

BMS-L105SE



AMERICAN INCH PRODUCTS		
Size	T.P.I	Major Dia.
	inch	inch
R1/2	14	0.825

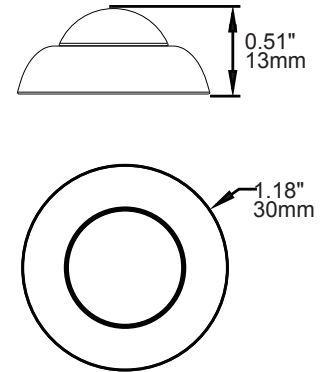
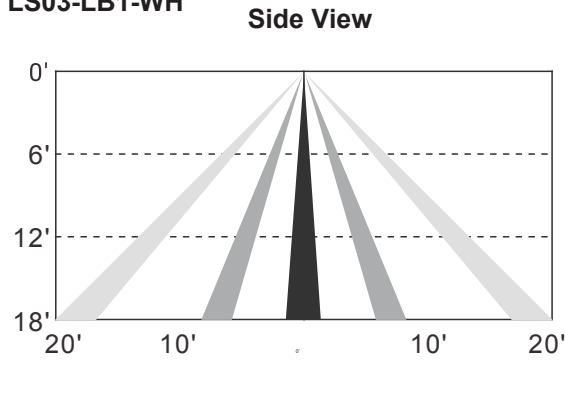
ORDERING INFORMATION

Model No.	Description
BMS-L105S-PIR-DC-BLE-KL	Fixture Sensor
BMS-L105SE-PIR-DC-BLE-KL	Fixture Sensor for low profile luminare
LS03-LB1-WH	LB1 Low Bay Lens, Mounting Height of 18ft Max.
LS03-LB2-WH	LB2 Low Bay Lens, Mounting Height of 15ft Max.

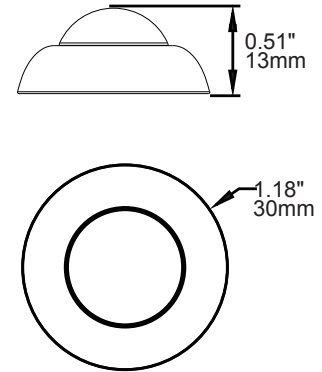
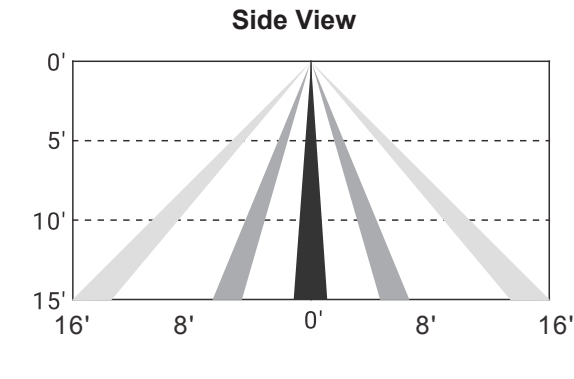
DETECTION AREA

Unit: inch/mm

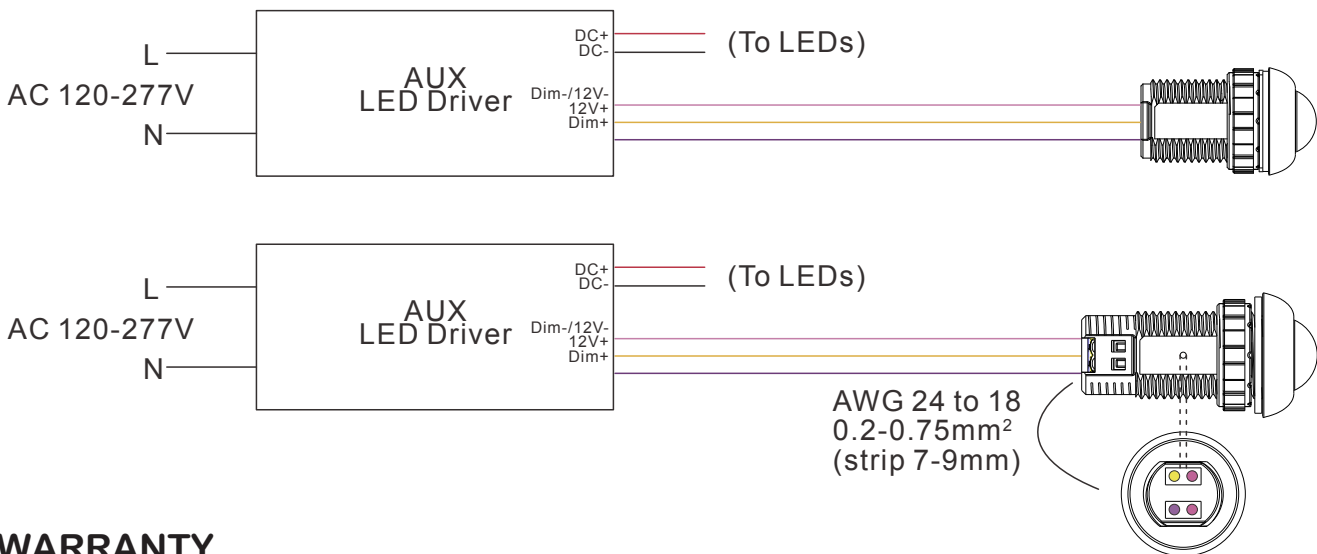
LS03-LB1-WH



LS03-LB2-WH



WIRING DIAGRAM



WARRANTY

Five year limited warranty.

Specifications subject to change without notice.